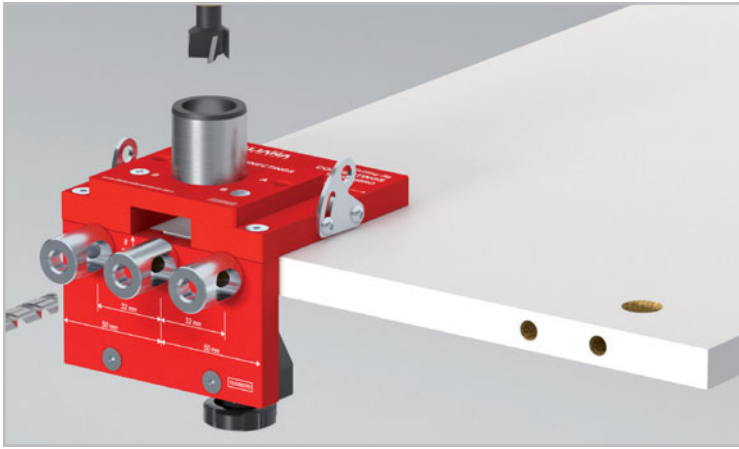


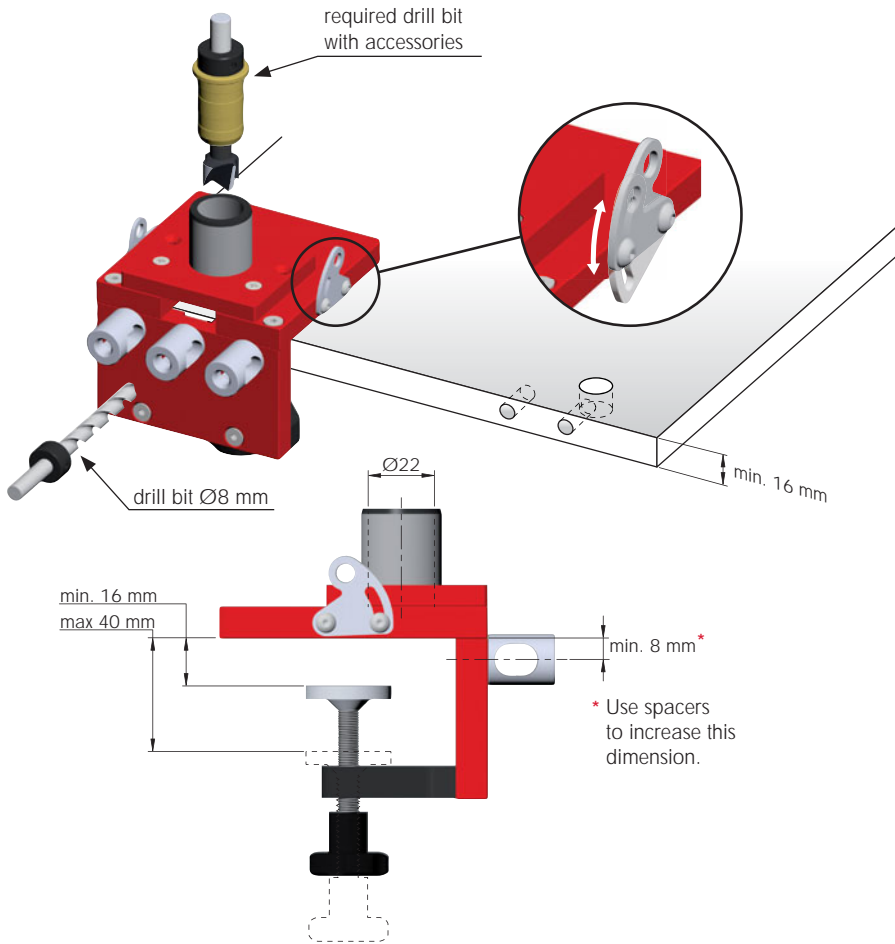


DRILLING JIG FOR CONNECTINGS

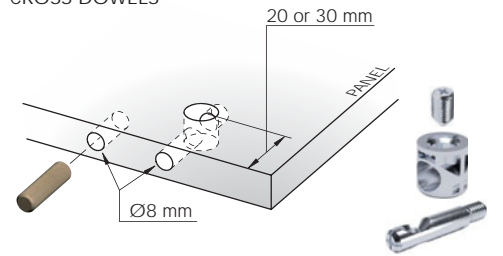


16 mm min.

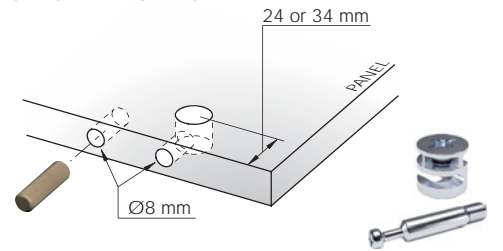
GENERAL SPECIFICATIONS



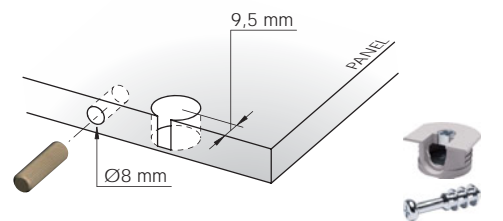
CROSS DOWELS



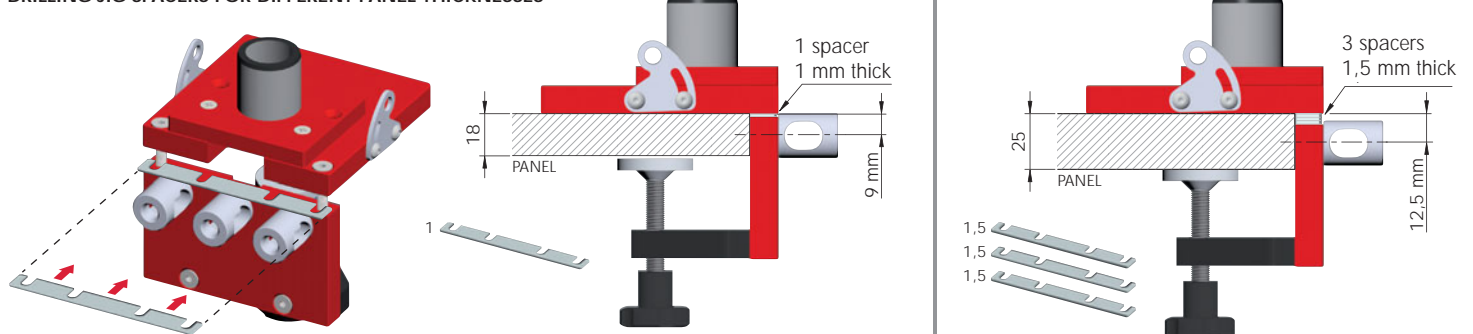
CAMS AND DOWELS



CONNECTING Ø20 mm

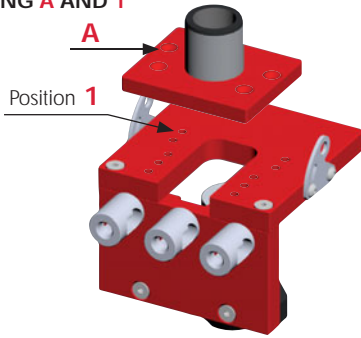


DRILLING JIG SPACERS FOR DIFFERENT PANEL THICKNESSES

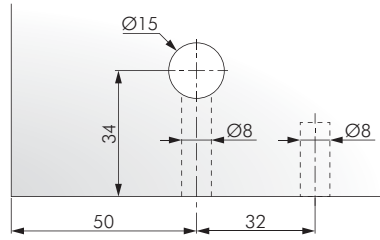




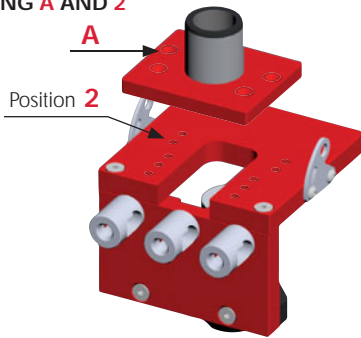
SETTING A AND 1



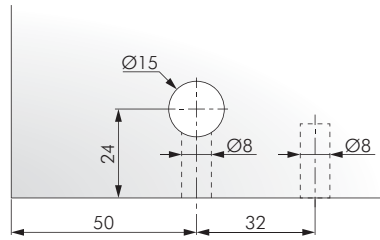
TO BE ORDERED SEPARATELY
Drill bit $\varnothing 15$ mm with accessories
Y0JG063600



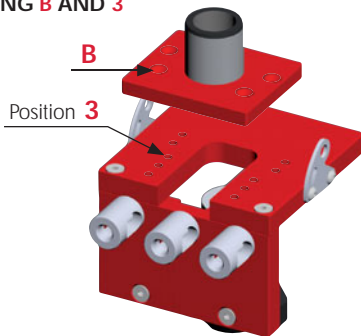
SETTING A AND 2



TO BE ORDERED SEPARATELY
Drill bit $\varnothing 15$ mm with accessories
Y0JG063600



SETTING B AND 3



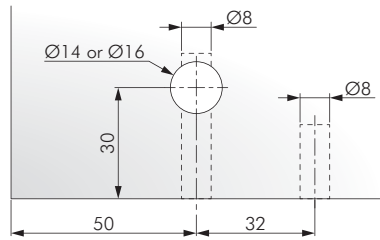
TO BE ORDERED SEPARATELY



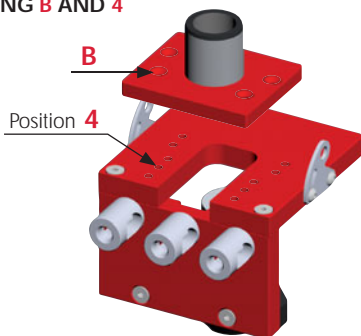
Drill bit $\varnothing 14$ mm
with accessories
Y0JG063500



Drill bit $\varnothing 16$ mm
with accessories
Y0JG063700



SETTING B AND 4



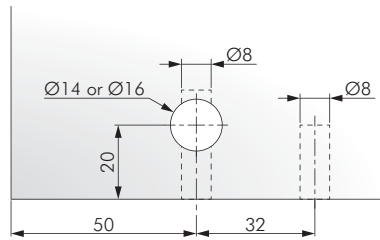
TO BE ORDERED SEPARATELY



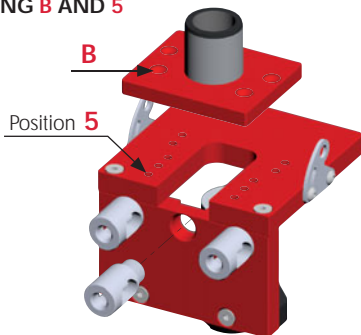
Drill bit $\varnothing 14$ mm
with accessories
Y0JG063500



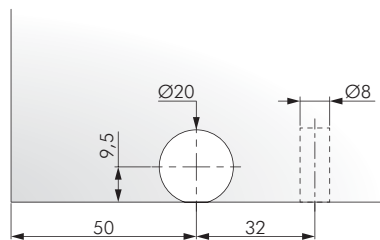
Drill bit $\varnothing 16$ mm
with accessories
Y0JG063700



SETTING B AND 5

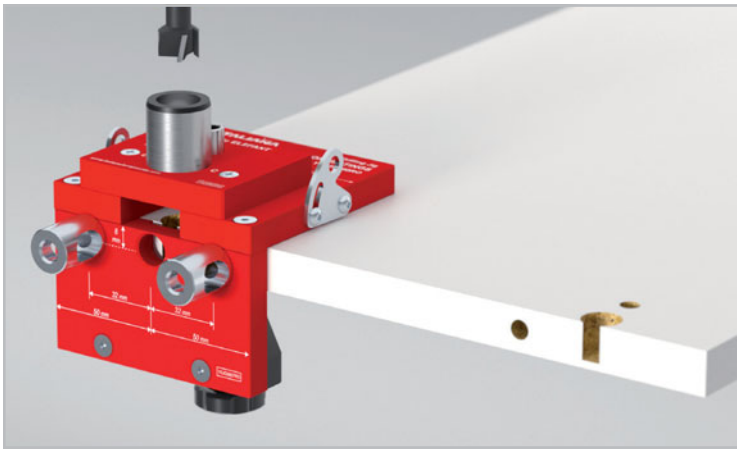


TO BE ORDERED SEPARATELY
Drill bit $\varnothing 20$ mm with accessories
Y0JG063900



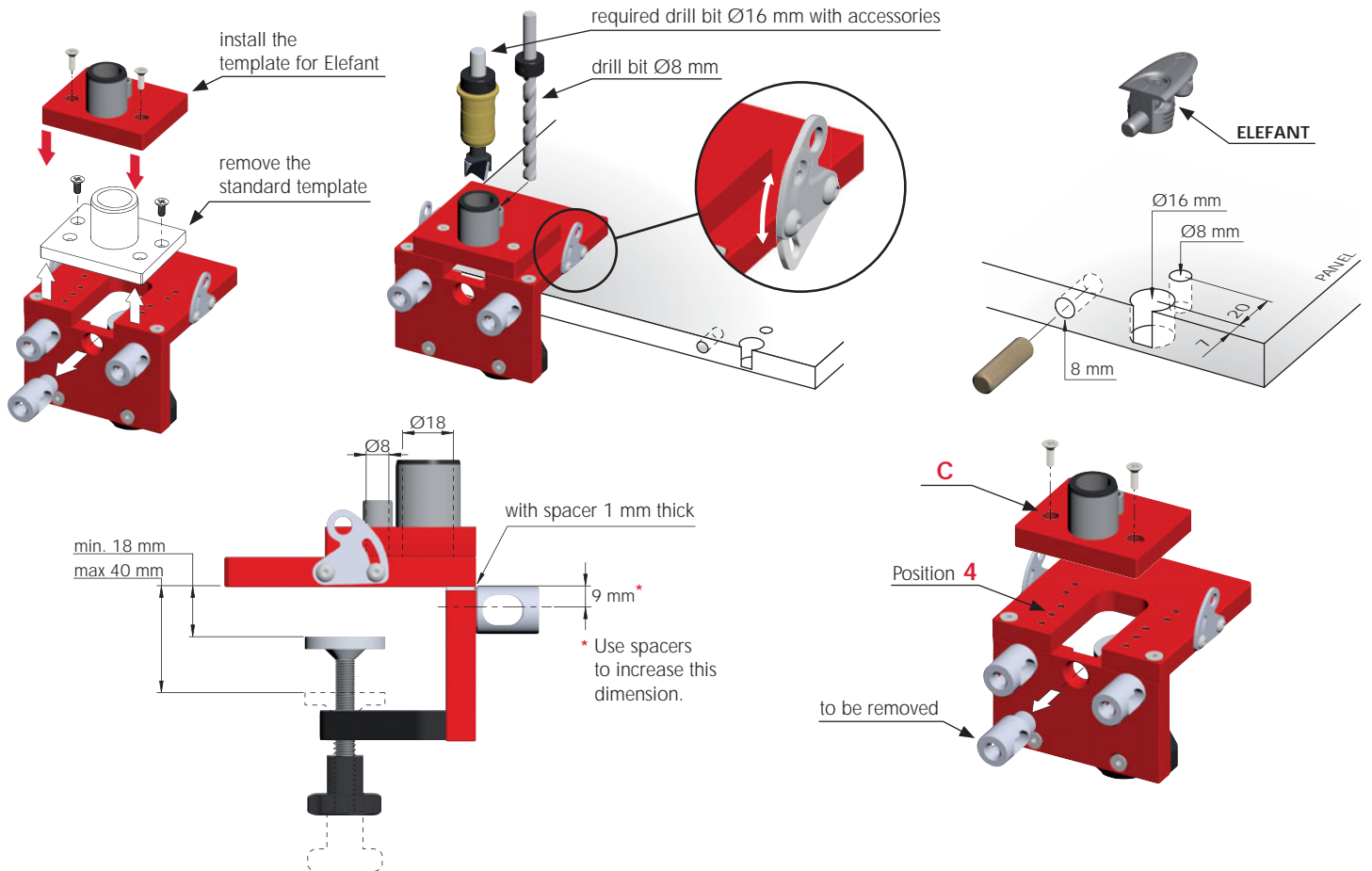


DRILLING JIG TEMPLATE FOR ELEFANT

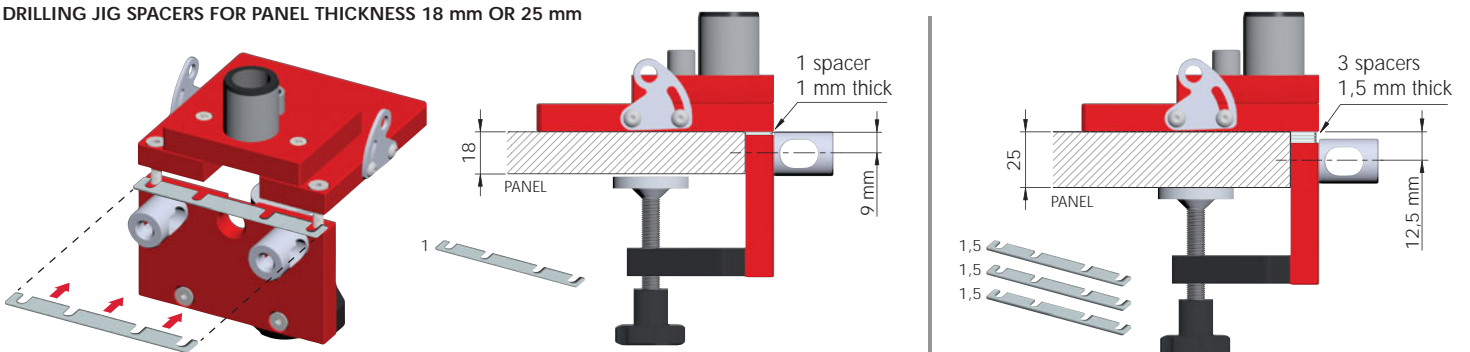


18 - 40 mm

GENERAL SPECIFICATIONS

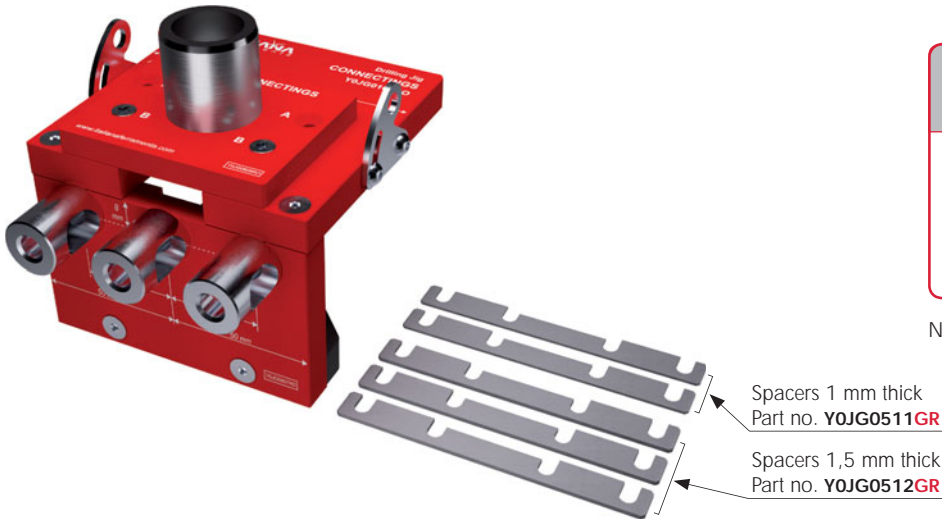


DRILLING JIG SPACERS FOR PANEL THICKNESS 18 mm OR 25 mm





CONNECTINGS DRILLING JIG



AL	ST	= on request
YOJG0160RO		

NOTE: The product code includes all the components shown in the picture.

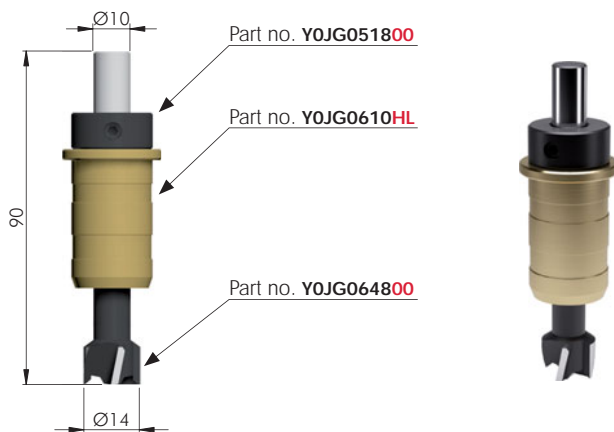
TEMPLATE FOR ELEFANT AND DRILL BITS



AL	HSS	ST	BR	= on request
YOJG0162RO				

NOTE: The product code includes all the components shown in the picture.

DRILL BIT Ø14 WITH ACCESSORIES

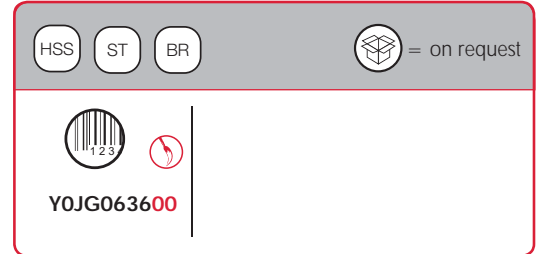
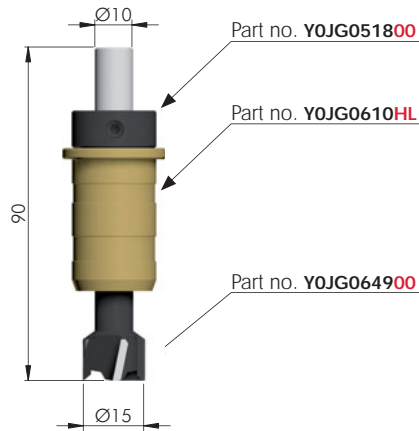


HSS	ST	BR	= on request
YOJG063500			

NOTE: The product code includes all the components shown in the picture.

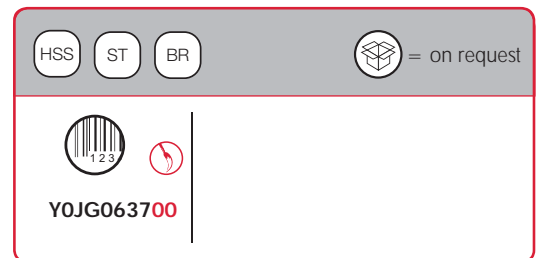
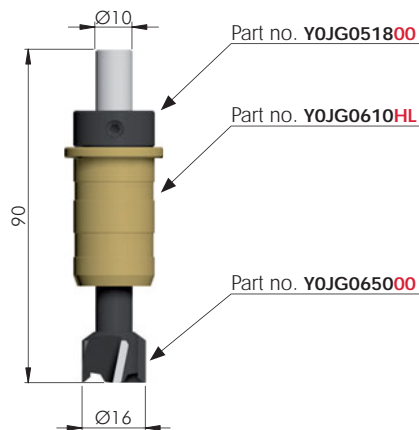


DRILL BIT Ø15 WITH ACCESSORIES



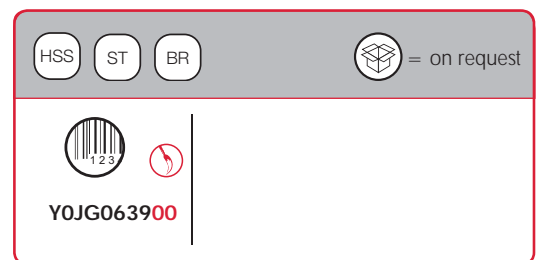
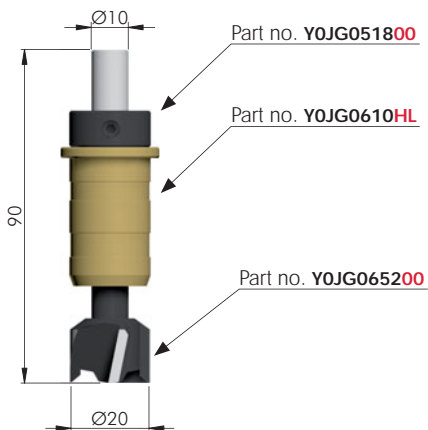
NOTE: The product code includes all the components shown in the picture.

DRILL BIT Ø16 WITH ACCESSORIES



NOTE: The product code includes all the components shown in the picture.

DRILL BIT Ø20 WITH ACCESSORIES



NOTE: The product code includes all the components shown in the picture.



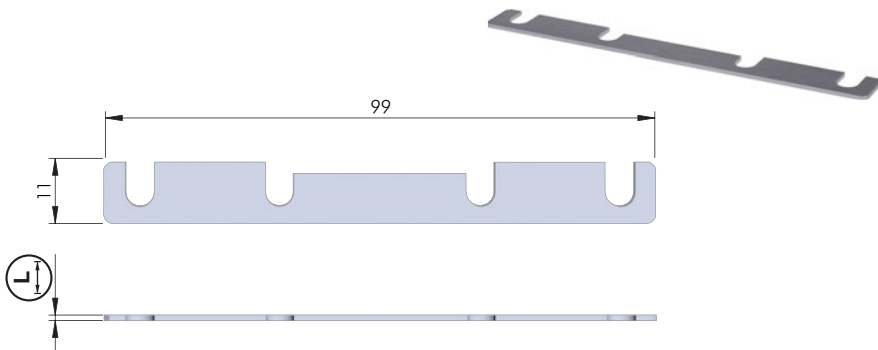
DRILL BIT ACCESSORIES



BR	= on request
123	
YOJG0610HL	



ST	= on request
123	
YOJG051800	



AL	= on request
123	L
YOJG0511GR	1
YOJG0512GR	1,5